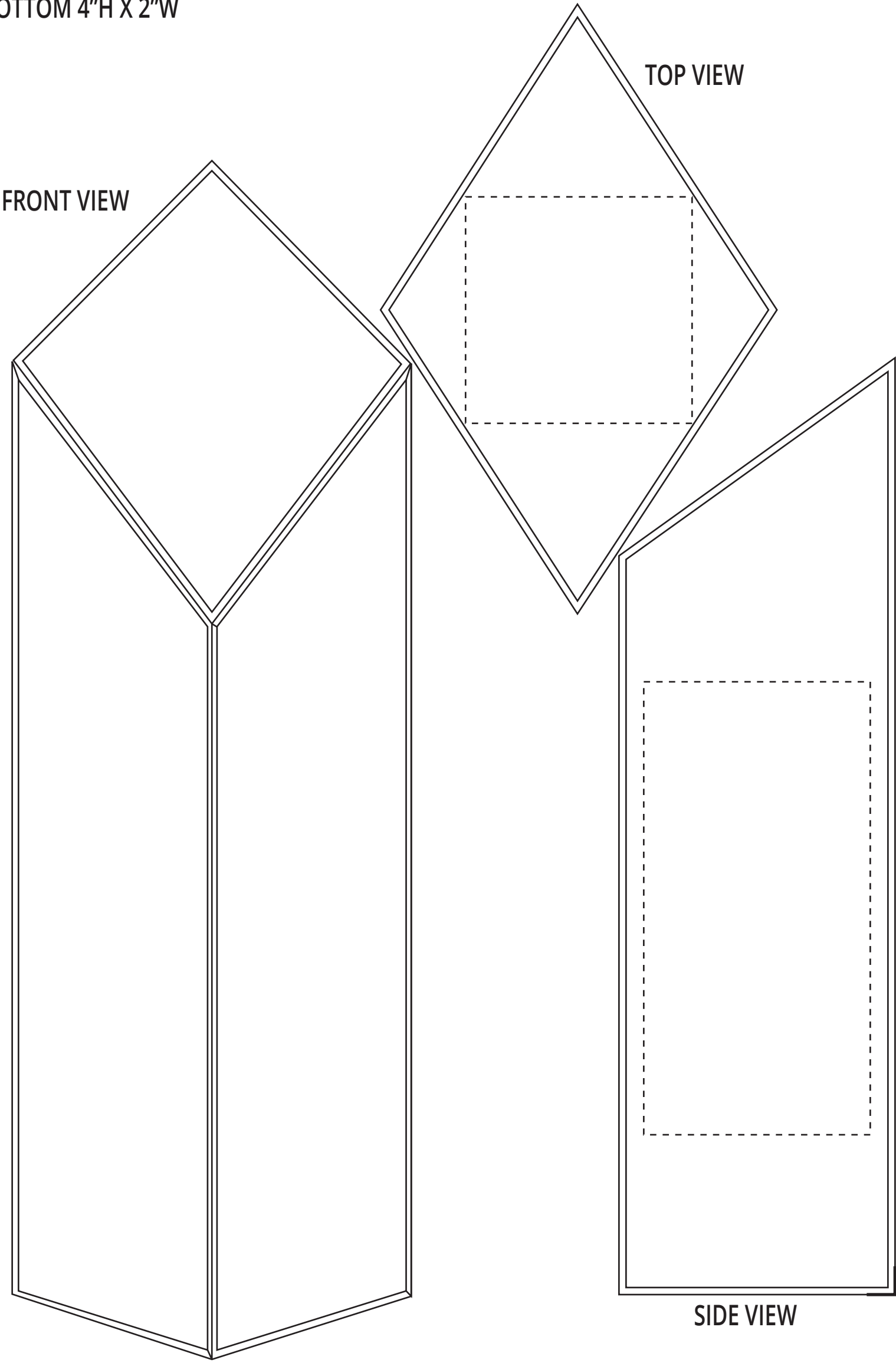


#4022 FRONT SIDE/TOP ETCHED

MAXIMUM ETCHING AREA
TOP 2" H X 2" W
BOTTOM 4" H X 2" W



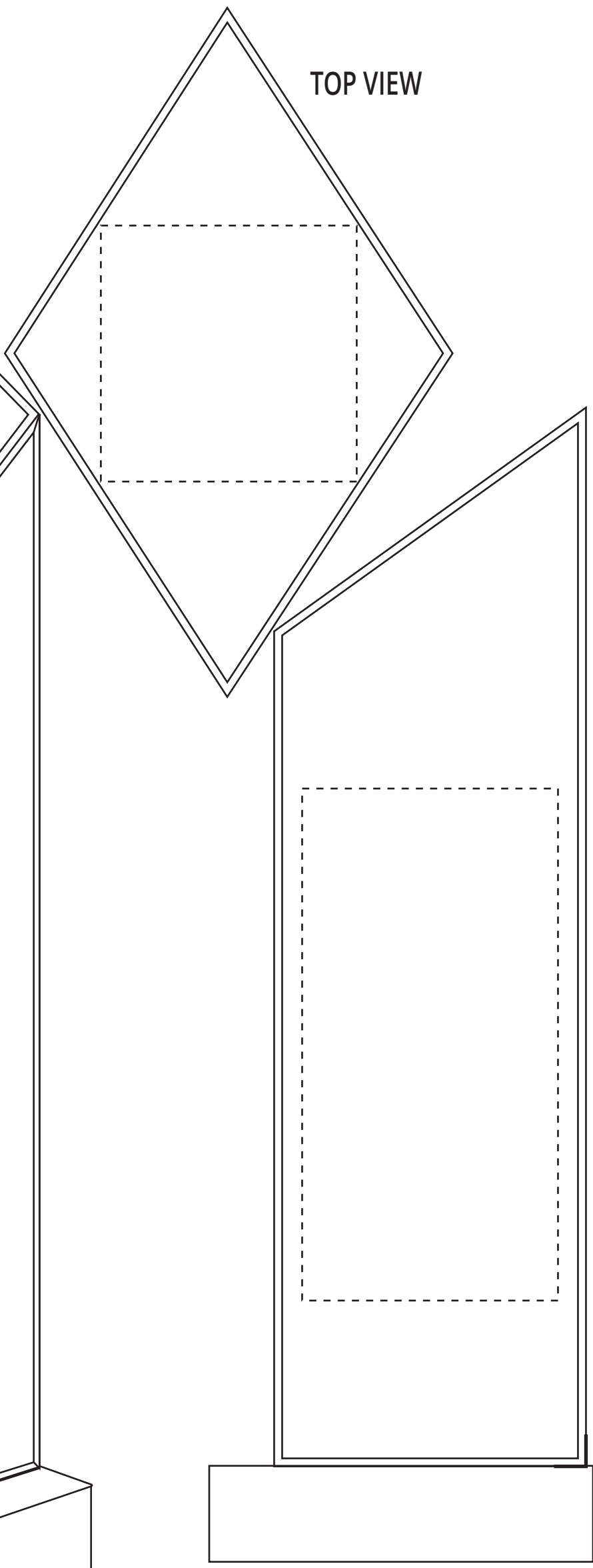
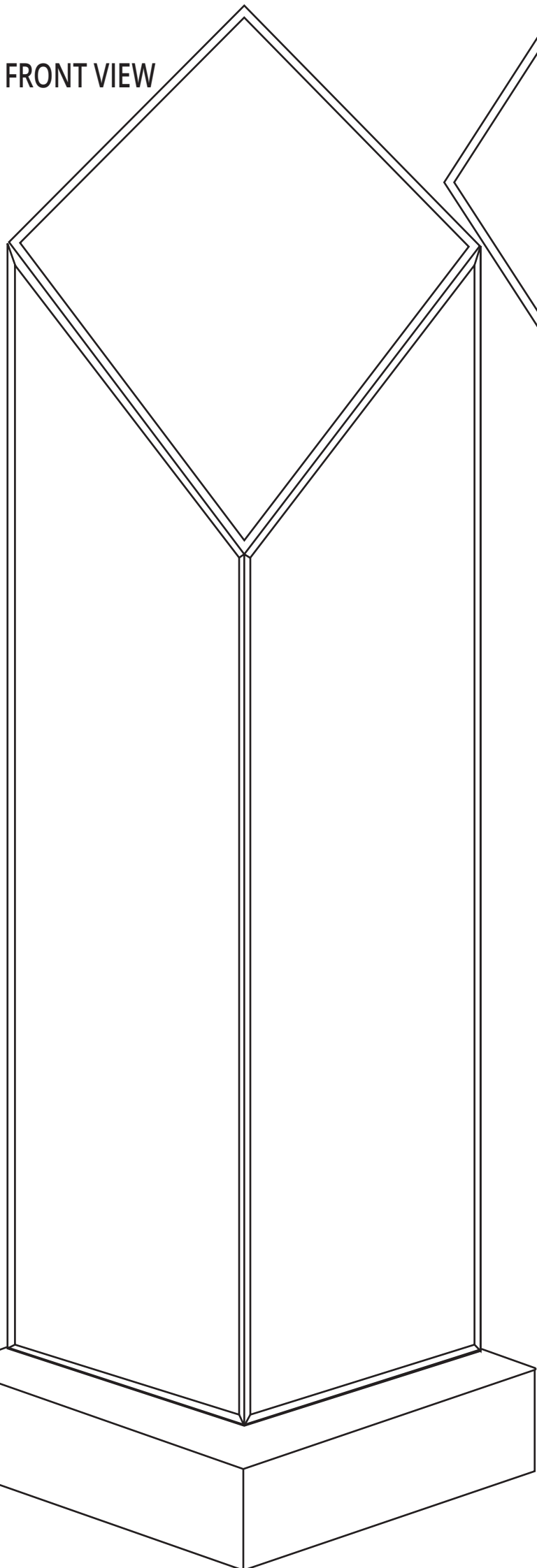
FRONT VIEW

TOP VIEW

SIDE VIEW

#4022C FRONT SIDE/TOP ETCHED

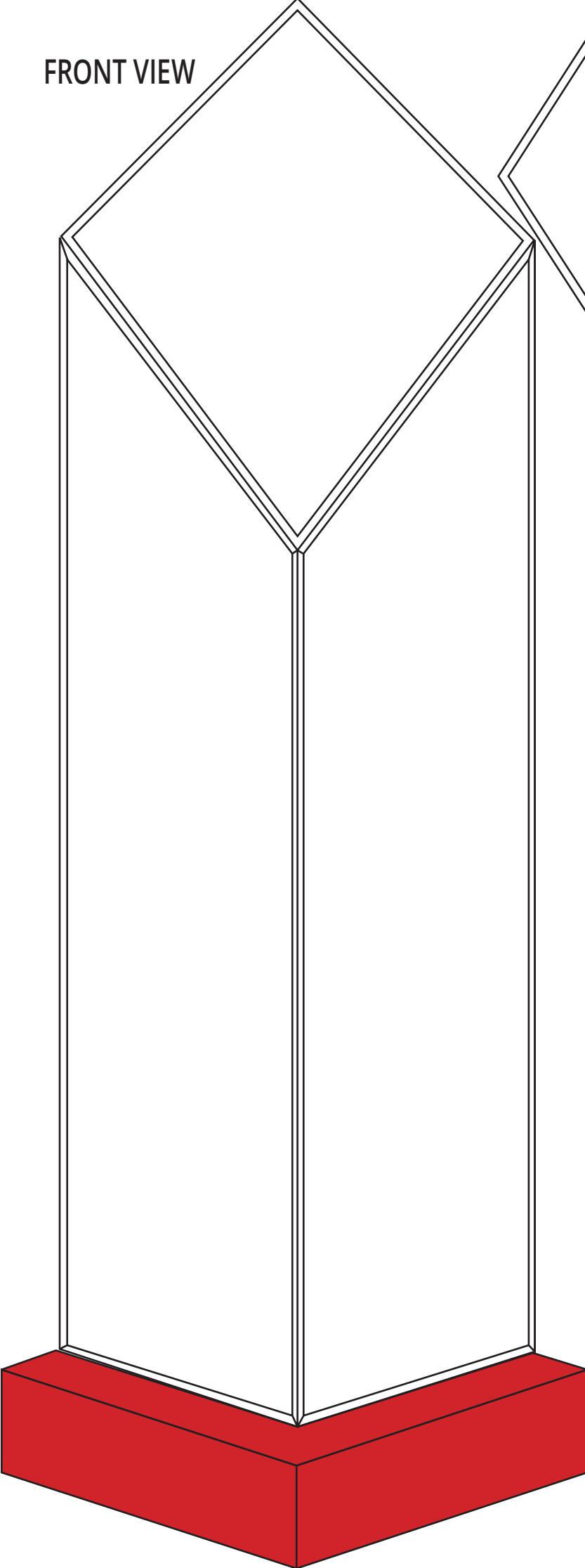
MAXIMUM ETCHING AREA
TOP 2" H X 2" W
BOTTOM 4" H X 2" W



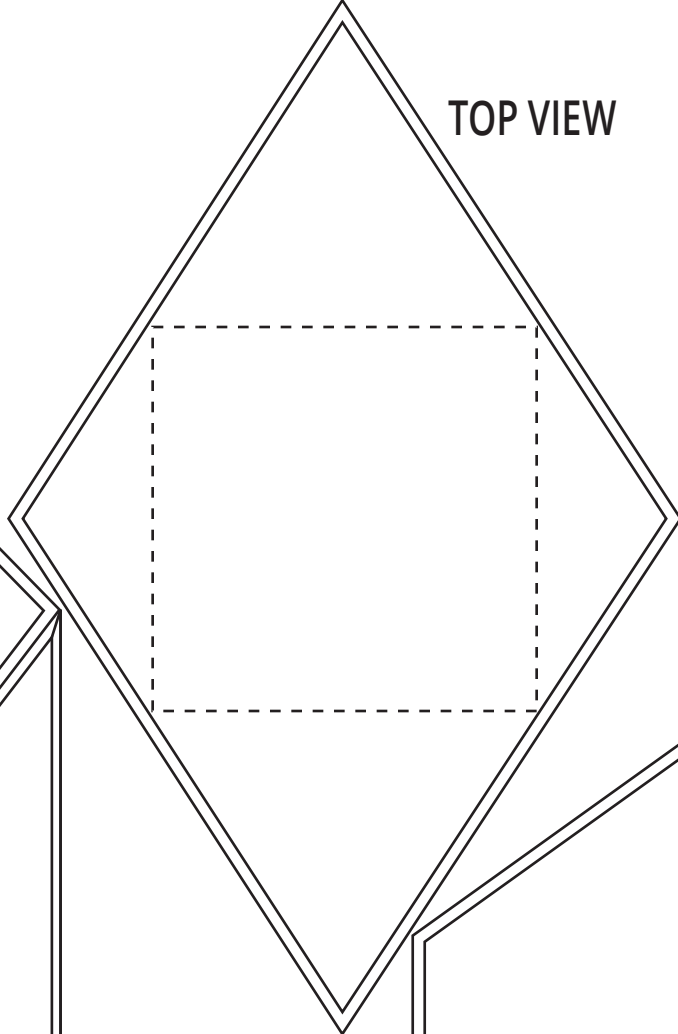
#4022R FRONT SIDE/TOP ETCHED

MAXIMUM ETCHING AREA
TOP 2" H X 2" W
BOTTOM 4" H X 2" W

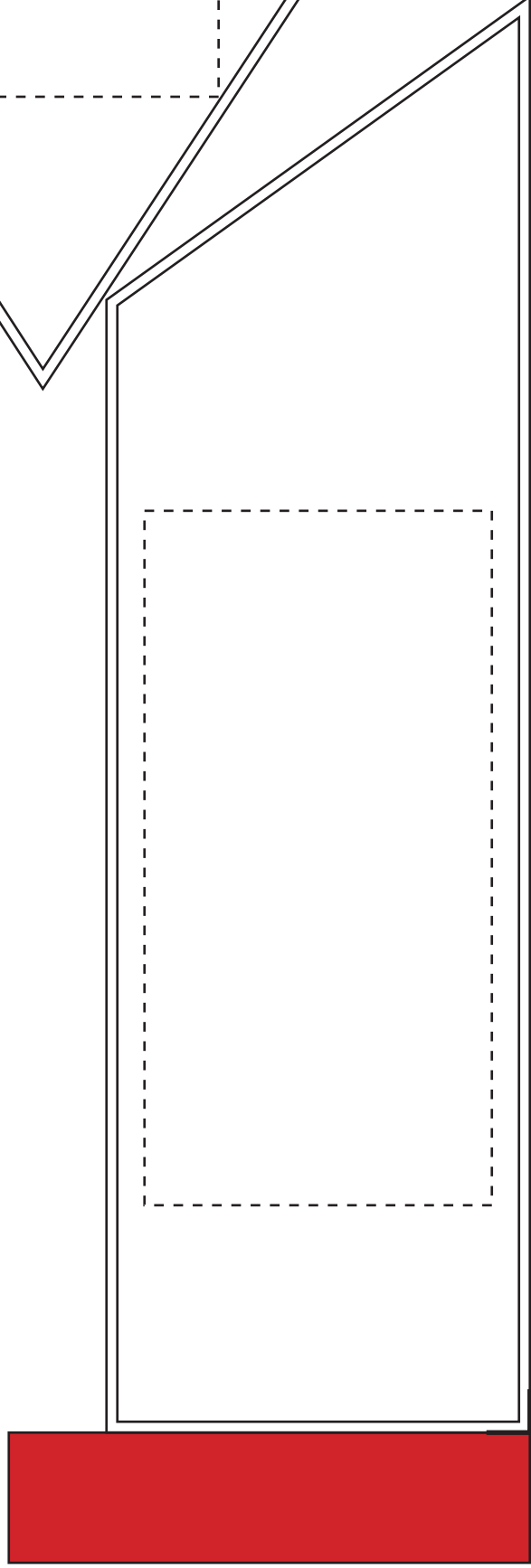
FRONT VIEW



TOP VIEW



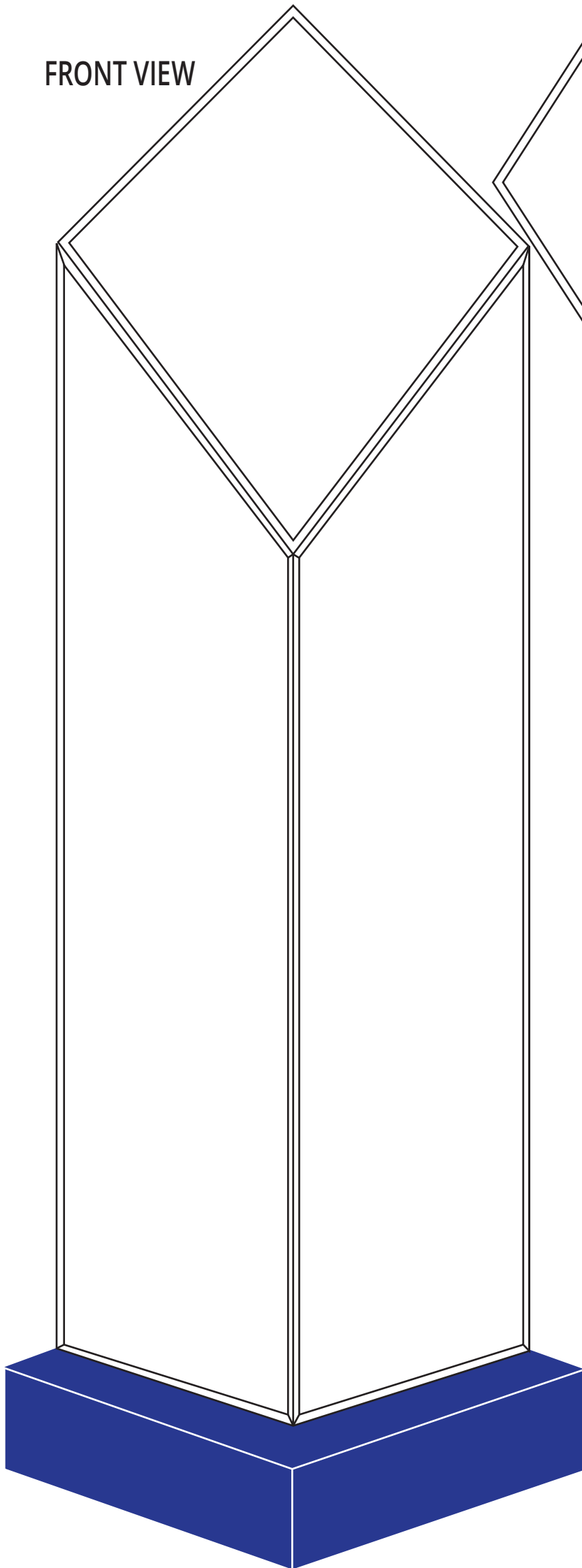
SIDE VIEW



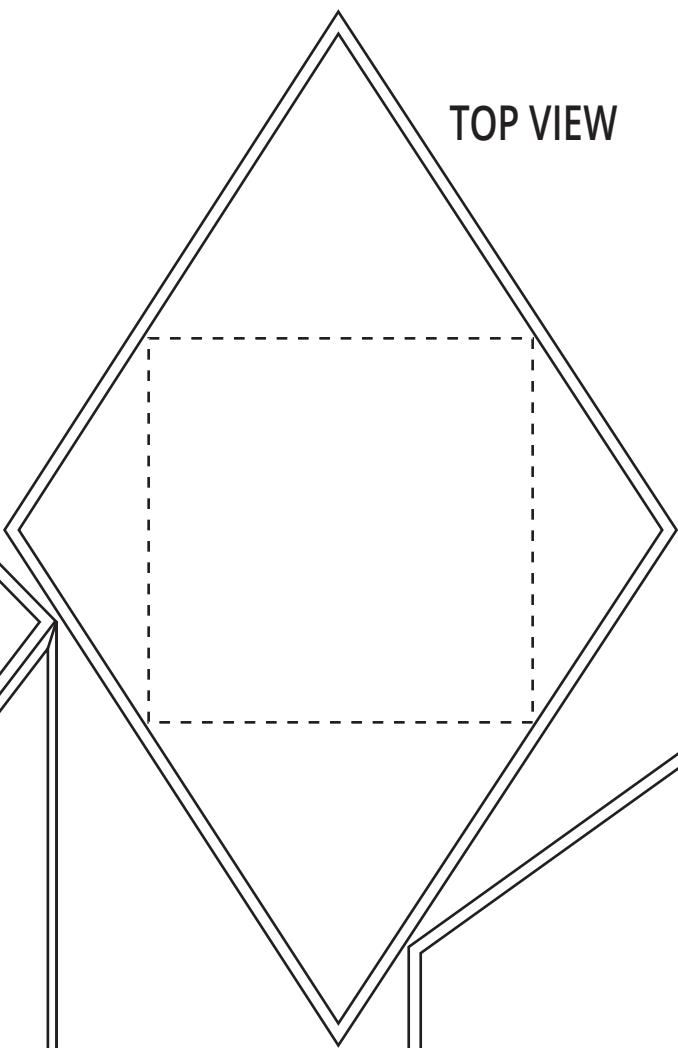
#4022B FRONT SIDE/TOP ETCHED

MAXIMUM ETCHING AREA
TOP 2" H X 2" W
BOTTOM 4" H X 2" W

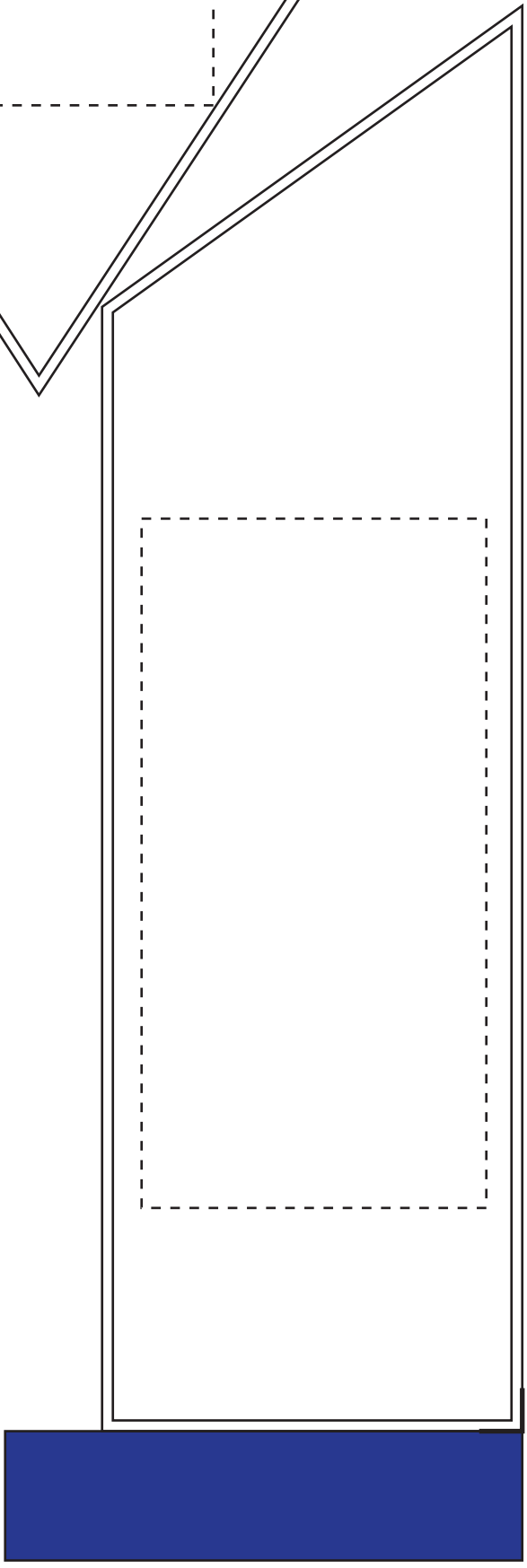
FRONT VIEW



TOP VIEW



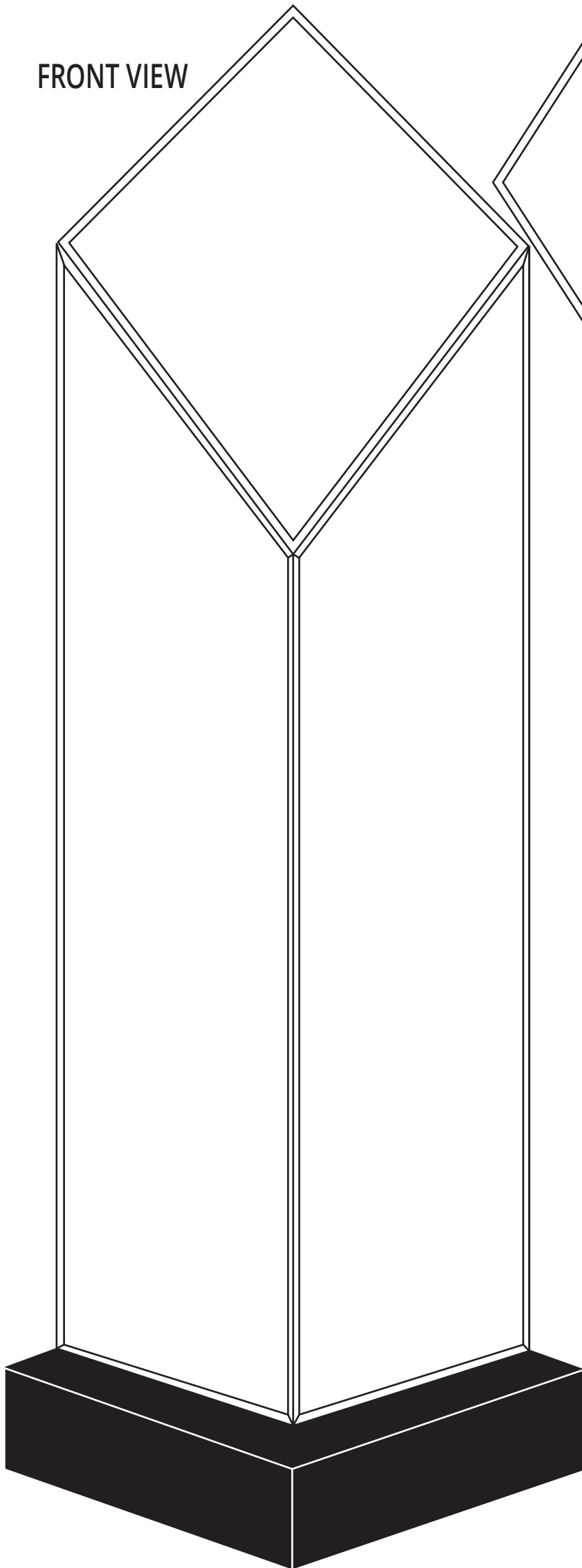
SIDE VIEW



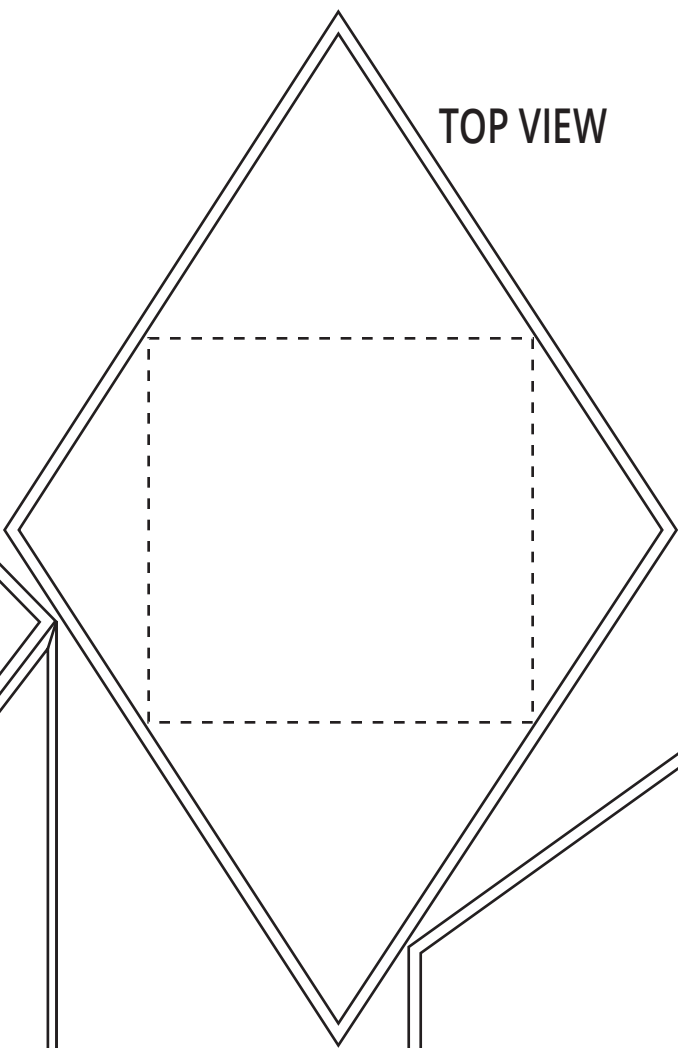
#4022K FRONT SIDE/TOP ETCHED

MAXIMUM ETCHING AREA
TOP 2" H X 2" W
BOTTOM 4" H X 2" W

FRONT VIEW



TOP VIEW



SIDE VIEW

